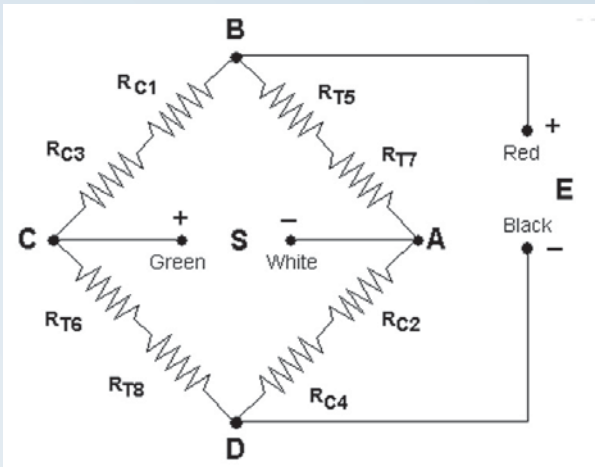


Load Cells



General Specifications

Range5 to 2,500 kips
Bridge CircuitFull Wheatstone bridge (8 gage)
Gage Resistance 350 Ohm
Excitation up to 24 Volts
Output $\approx 3 \text{ mV/V @ FS}$
Non-linearity $< 1\% \text{ FS}$
Calibration FactorIndividually calibrated

Quality Assurance

Environmental Splashproof
Temperature $-34^{\circ}\text{C} (-30^{\circ}\text{F})$ to $60^{\circ}\text{C} (140^{\circ}\text{F})$
Lead Wire 4-conductor Beldfoil shield

Background

CTLGroup's load cells are custom-designed to suit your physical dimension requirements. Each load cell uses eight gages, equally spaced around the circumference of the load cell body to eliminate the effects of eccentric loading. Four-conductor, twisted and shielded lead wire greatly reduces electrical noise. The dimensional design also eliminates the need for mating spacer plates required by other load cells to reduce end-effects. Each load cell is individually calibrated in-house to conform to NIST-traceable standards.

Special designs featuring handles or protective covers for surface-mounted mating plugs are available upon request.

Pricing

Quantity discounts available. Call for pricing.